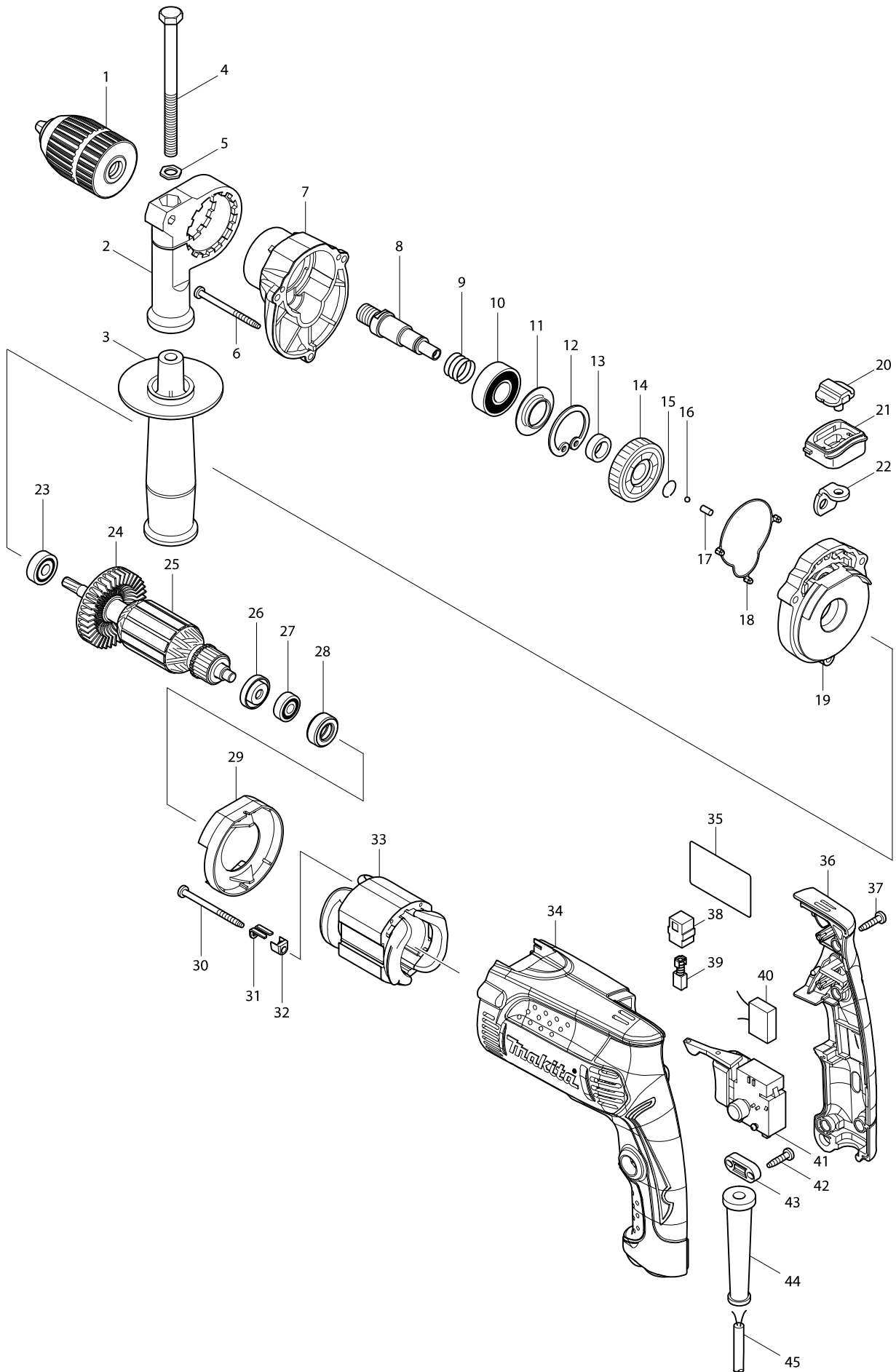


# Numéro du modèle HP1631 HAMMER DRILL 16MM



| Position | Référence pièce | Description                 | Echelle | QTE | N/O | Option 1 | Option 2 | COMMENTAIRE |
|----------|-----------------|-----------------------------|---------|-----|-----|----------|----------|-------------|
| 001A     | 192692-0        | KEYLESS DRILL CHUCK         |         | 1   | *   | A30      |          |             |
| 001B     | 192692-0        | KEYLESS DRILL CHUCK         |         | 1   | *   | A30      |          |             |
| 001C     | 192692-0        | KEYLESS DRILL CHUCK         |         | 1   | *   | A30      |          |             |
| 001-1A   | 196193-0        | KEYLESS DRILL CHUCK         | O       | 1   | *   | A30      |          |             |
| 001-1B   | 196193-0        | KEYLESS DRILL CHUCK         | O       | 1   | *   | A30      |          |             |
| 001-1C   | 196193-0        | KEYLESS DRILL CHUCK         | O       | 1   | *   | A30      |          |             |
| 001-1D   | 196193-0        | KEYLESS DRILL CHUCK         |         | 1   | *   | A30      |          |             |
| 001-2A   | 196564-1        | KEYLESS DRILL CHUCK         | O       | 1   |     | A30      |          |             |
| 001-2B   | 196564-1        | KEYLESS DRILL CHUCK         | O       | 1   |     | A30      |          |             |
| 001-2C   | 196564-1        | KEYLESS DRILL CHUCK         | O       | 1   |     | A30      |          |             |
| 001-2D   | 196564-1        | KEYLESS DRILL CHUCK         | O       | 1   |     | A30      |          |             |
| 001-2F   | 196564-1        | KEYLESS DRILL CHUCK         |         | 1   |     | A30      |          |             |
| 002      | 417630-4        | GRIP BASE                   |         | 1   |     | P4       |          |             |
| 003A     | 153503-4        | GRIP 36 COMPLETE            |         | 1   | *   | P2       |          |             |
| 003B     | 153503-4        | GRIP 36 COMPLETE            |         | 1   | *   | P2       |          |             |
| 003-1A   | 152489-9        | GRIP 36 COMPLETE            | O       | 1   |     |          |          |             |
| 003-1B   | 152489-9        | GRIP 36 COMPLETE            | O       | 1   |     |          |          |             |
| 003-1C   | 152489-9        | GRIP 36 COMPLETE            |         | 1   |     |          |          |             |
| 003-1D   | 152489-9        | GRIP 36 COMPLETE            |         | 1   |     |          |          |             |
| 003-1F   | 152489-9        | GRIP 36 COMPLETE            |         | 1   |     |          |          |             |
| 004      | 265495-6        | HEX. BOLT M8X110            |         | 1   |     | P1       |          |             |
| 005      | 345280-4        | HEX. WASHER                 |         | 1   |     | P1       |          |             |
| 006      | 266361-0        | TAPPING SCREW 4X30          |         | 3   |     | P1       |          |             |
| 007      | 450619-9        | GEAR HOUSING                |         | 1   |     | P1       |          |             |
| 008      | 324223-9        | SPINDLE                     |         | 1   |     | P7       |          |             |
| 009      | 233330-6        | COMPRESSION SPRING 16       |         | 1   |     | P1       |          |             |
| 010      | 211241-5        | BALL BEARING 6202DDW        |         | 1   |     | P3       |          |             |
| 011      | 257246-1        | RING 19                     |         | 1   |     | P1       |          |             |
| 012      | 962153-2        | RETAINING RING R-35         |         | 1   |     | P1       |          |             |
| 013      | 257173-2        | RING 12                     |         | 1   |     | P2       |          |             |
| 014A     | 226589-2        | HELICAL GEAR 37             |         | 1   | *   | P5       |          |             |
| 014B     | 226589-2        | HELICAL GEAR 37             |         | 1   | *   | P5       |          |             |
| 014C     | 226589-2        | HELICAL GEAR 37             |         | 1   | *   | P5       |          |             |
| 014D     | 226589-2        | HELICAL GEAR 37             |         | 1   | *   | P5       |          |             |
| 014-1A   | 227806-3        | HELICAL GEAR 37             | S       | 1   |     |          |          |             |
| 014-1B   | 227806-3        | HELICAL GEAR 37             | S       | 1   |     |          |          |             |
| 014-1C   | 227806-3        | HELICAL GEAR 37             | S       | 1   |     |          |          |             |
| 014-1D   | 227806-3        | HELICAL GEAR 37             | S       | 1   |     |          |          |             |
| 014-1F   | 227806-3        | HELICAL GEAR 37             |         | 1   |     |          |          |             |
| 015      | 233938-6        | RING SPRING 12              |         | 1   |     | P1       |          |             |
| 016      | 216001-0        | STEEL BALL 3.5              |         | 1   |     | P1       |          |             |
| 017      | 256251-5        | PIN 4                       |         | 1   |     | P1       |          |             |
| 018      | 424112-9        | SEAL RING                   |         | 1   |     | P1       |          |             |
| 019      | 158676-8        | GEAR HOUSING COVER COMPLETE |         | 1   |     | P5       |          |             |
| 020      | 417819-4        | CHANGE LEVER                |         | 1   |     | P1       |          |             |
| 021      | 450621-2        | LEVER CASE                  |         | 1   |     | P1       |          |             |
| 022      | 345944-0        | CHANGE PLATE                |         | 1   |     | P1       |          |             |
| 023      | 211031-6        | BALL BEARING 608LLB         |         | 1   |     | P18      |          |             |

| Position | Référence pièce | Description           | Echelle | QTE | N/O | Option 1 | Option 2 | COMMENTAIRE |
|----------|-----------------|-----------------------|---------|-----|-----|----------|----------|-------------|
| 024      | 241869-5        | FAN 55                |         | 1   |     | P7       |          |             |
| 025A     | 515309-2        | ARMATURE ASS'Y 240V   |         | 1   | *   | P15      |          |             |
| D10      |                 | INC. 23,24,26,27      |         |     | *   |          |          |             |
| 025B     | 515309-2        | ARMATURE ASS'Y 240V   |         | 1   | *   | P15      |          |             |
| D10      |                 | INC. 23,24,26,27      |         |     | *   |          |          |             |
| 025C     | 515309-2        | ARMATURE ASS'Y 240V   |         | 1   | *   | P15      |          |             |
| D10      |                 | INC. 23,24,26,27      |         |     | *   |          |          |             |
| 025D     | 515309-2        | ARMATURE ASS'Y 240V   |         | 1   | *   | P15      |          |             |
| D10      |                 | INC. 23,24,26,27      |         |     | *   |          |          |             |
| 025-1A   | 513439-3        | ARMATURE ASS'Y 240V   | S       | 1   |     |          |          |             |
| D10      |                 | INC. 23,24,26,27      |         |     |     |          |          |             |
| 025-1B   | 513439-3        | ARMATURE ASS'Y 240V   | S       | 1   |     |          |          |             |
| D10      |                 | INC. 23,24,26,27      |         |     |     |          |          |             |
| 025-1C   | 513439-3        | ARMATURE ASS'Y 240V   | S       | 1   |     |          |          |             |
| D10      |                 | INC. 23,24,26,27      |         |     |     |          |          |             |
| 025-1D   | 513439-3        | ARMATURE ASS'Y 240V   | S       | 1   |     |          |          |             |
| D10      |                 | INC. 23,24,26,27      |         |     |     |          |          |             |
| 025-1F   | 513439-3        | ARMATURE ASS'Y 240V   |         | 1   |     |          |          |             |
| D10      |                 | INC. 23,24,26,27      |         |     |     |          |          |             |
| 026      | 681636-0        | INSULATION WASHER     |         | 1   |     | P3       |          |             |
| 027      | 211021-9        | BALL BEARING 607LLB   |         | 1   |     | P19      |          |             |
| 028      | 421808-3        | RUBBER RING 19        |         | 1   |     | P1       |          |             |
| 029      | 450620-4        | BAFFLE PLATE          |         | 1   |     | P1       |          |             |
| 030      | 266415-3        | TAPPING SCREW 4X55    |         | 2   |     | P1       |          |             |
| 031      | 344871-8        | RETAINER              |         | 2   |     | P2       |          |             |
| 032      | 417237-6        | INSULATION COVER      |         | 2   |     | P2       |          |             |
| 033A     | 626604-6        | FIELD 240V            |         | 1   | *   | P21      |          |             |
| 033B     | 626604-6        | FIELD 240V            |         | 1   | *   | P21      |          |             |
| 033-1A   | 626644-4        | FIELD 240V            | O       | 1   |     | P13      |          |             |
| 033-1B   | 626644-4        | FIELD 240V            | O       | 1   |     | P13      |          |             |
| 033-1C   | 626644-4        | FIELD 240V            |         | 1   |     | P13      |          |             |
| 033-1D   | 626644-4        | FIELD 240V            |         | 1   |     | P13      |          |             |
| 033-1F   | 626644-4        | FIELD 240V            |         | 1   |     | P13      |          |             |
| 034      | 450617-3        | MOTOR HOUSING         |         | 1   |     | P6       |          |             |
| 035      | 865373-6        | HP1631 NAME PLATE     |         | 1   |     |          |          |             |
| 036      | 158677-6        | HANDLE COVER COMPLETE |         | 1   |     | P2       |          |             |
| 037      | 266326-2        | TAPPING SCREW 4X18    |         | 4   |     | P2       |          |             |
| 038A     | 643563-9        | BRUSH HOLDER 5X8      |         | 2   | *   | P1       |          |             |
| 038B     | 643563-9        | BRUSH HOLDER 5X8      |         | 2   | *   | P1       |          |             |
| 038C     | 643563-9        | BRUSH HOLDER 5X8      |         | 2   | *   | P1       |          |             |
| 038D     | 643563-9        | BRUSH HOLDER 5X8      |         | 2   | *   | P1       |          |             |
| 038-1A   | 643566-3        | BRUSH HOLDER 5X8      | O       | 2   |     | P1       |          |             |
| 038-1B   | 643566-3        | BRUSH HOLDER 5X8      | O       | 2   |     | P1       |          |             |
| 038-1C   | 643566-3        | BRUSH HOLDER 5X8      | O       | 2   |     | P1       |          |             |
| 038-1D   | 643566-3        | BRUSH HOLDER 5X8      | O       | 2   |     | P1       |          |             |
| 038-1F   | 643566-3        | BRUSH HOLDER 5X8      |         | 2   |     | P1       |          |             |
| 039      | 191998-3        | CARBON BRUSH CB-85    |         | 1   |     | P6       |          |             |
| 040A     | 645200-1        | NOISE SUPPRESSOR      |         | 1   | *   | P8       |          |             |

