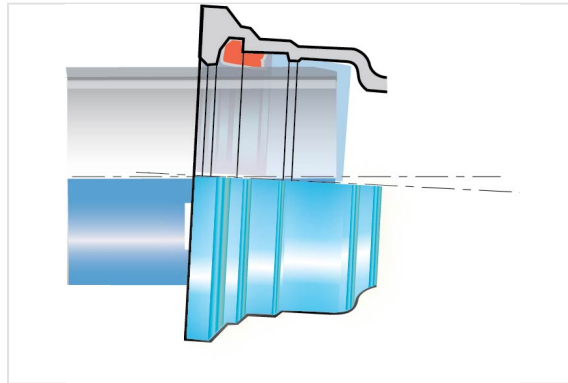


Ensemble Coude Standard AQB + Joint Standard

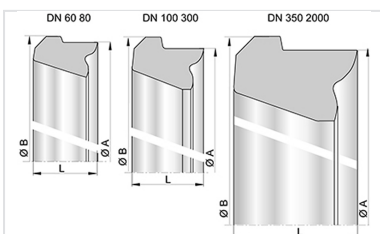


DN mm	Classe	PFA bar
60	C40	40
80	C40	40
100	C40	40
125	C40	40
150	C40	40
200	C40	40
250	C40	40
300	C40	40

DN	Poids de l'ensemble	Référence
60	6.412 kg	NSA60CA00NN2-E00
60	6.712 kg	NSA60CB00NN2-E00
60	5.112 kg	NSA60CD00NN2-E00
60	5.312 kg	NSA60CE00NN2-E00
80	7.896 kg	NSA80CA00NN2-E00
80	7.296 kg	NSA80CB00NN2-E00
80	6.496 kg	NSA80CD00NN2-E00
80	6.796 kg	NSA80CE00NN2-E00
100	10.392 kg	NSB10CA00NN2-E00
100	9.292 kg	NSB10CB00NN2-E00
100	8.192 kg	NSB10CD00NN2-E00

DN	Poids de l'ensemble	Référence
100	8.292 kg	NSB10CE00NN2-E00
125	12.788 kg	NSB12CB00NN2-E00
125	10.388 kg	NSB12CD00NN2-E00
125	10.788 kg	NSB12CE00NN2-E00
150	18.67 kg	NSB15CA00NN2-E00
150	16.17 kg	NSB15CB00NN2-E00
150	12.77 kg	NSB15CD00NN2-E00
150	13.17 kg	NSB15CE00NN2-E00
200	29.968 kg	NSB20CA00NN2-E00
200	24.468 kg	NSB20CB00NN2-E00
200	19.768 kg	NSB20CD00NN2-E00
200	19.968 kg	NSB20CE00NN2-E00
250	50.594 kg	NSB25CA00NN2-E00
250	41.494 kg	NSB25CB00NN2-E00
250	33.194 kg	NSB25CD00NN2-E00
250	31.494 kg	NSB25CE00NN2-E00
300	74.124 kg	NSB30CA00NN2-E00
300	60.424 kg	NSB30CB00NN2-E00
300	43.624 kg	NSB30CD00NN2-E00
300	41.124 kg	NSB30CE00NN2-E00

Produits associés



Bague de joint Standard
pour Tuyaux et Raccords
DN60-2000